

9.2.1 TECHNICAL DATA

MAX OPERATING PRESSURE: 400 BAR

PRESSURE TEST: 1.43 X PS

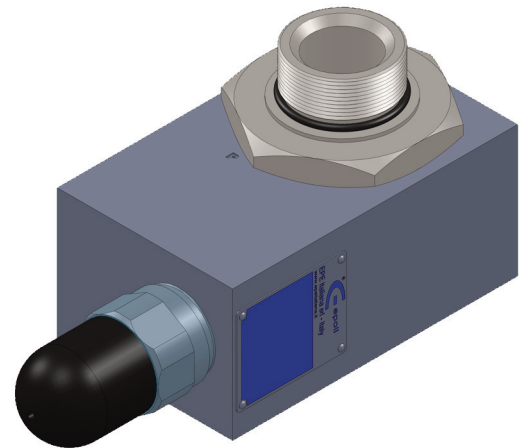
NOMINAL SIZE: 6, 10, 20

BODY MATERIAL: galvanized carbon steel

SEALS MATERIAL: Nitrile (NBR)
Viton (FKM)

See Table 9.2c and or Section 1.8

WEIGHT: see Table 9.2

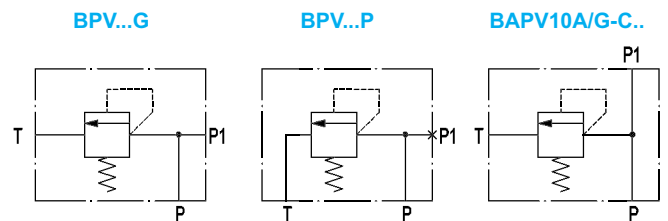


9.2a

9.2.2 DESCRIPTION

These blocks are used for installation of safety valves type DBDS (see Section 9.1) which must be ordered separately. The BPV type is built in sizes 6, 10, 20 and in the "G" versions with the threaded connections BSP ISO 228 or in the "P" version for mounting on plate. BAPV type instead can be mounted through a double thread nipple directly on the fluid valve of the bladder accumulators with a connection of 1"1/4 (type AS5 and ASA1) or 2" BSP (type AS10÷55, ASA2.5÷15) or with appropriate adaptors (see Section 9.4) directly on the back side of a fluid piston accumulator. This version is built only to accommodate the safety valves DBDS10.

9.2.2 HYDRAULIC SYMBOL



9.2b

9.2.3 ORDER CODE



| 1 | Series | |
|---|--------------------|--------------|
| | Valve-holder block | = BPV |

| 2 | Nominal sizes | |
|---|---------------------|--|
| | Size 6 = 6 | |
| | Size 10 = 10 | |
| | Size 20 = 20 | |

| 3 | Connections P and P1 | |
|---|----------------------|------------|
| | Thread BSP ISO 228 | = G |
| | Plate mounting | = P |

| 5 | Seals material only for type P | |
|---|--------------------------------|------------|
| | Nitrile NBR | = P |
| | Viton (FKM) | = V |

| 4 | Body Material | |
|---|---------------|------------|
| | Carbon steel | = C |



| 1 | Series | |
|---|------------------------------------|---------------|
| | Valve-holder block for accumulator | = BAPV |

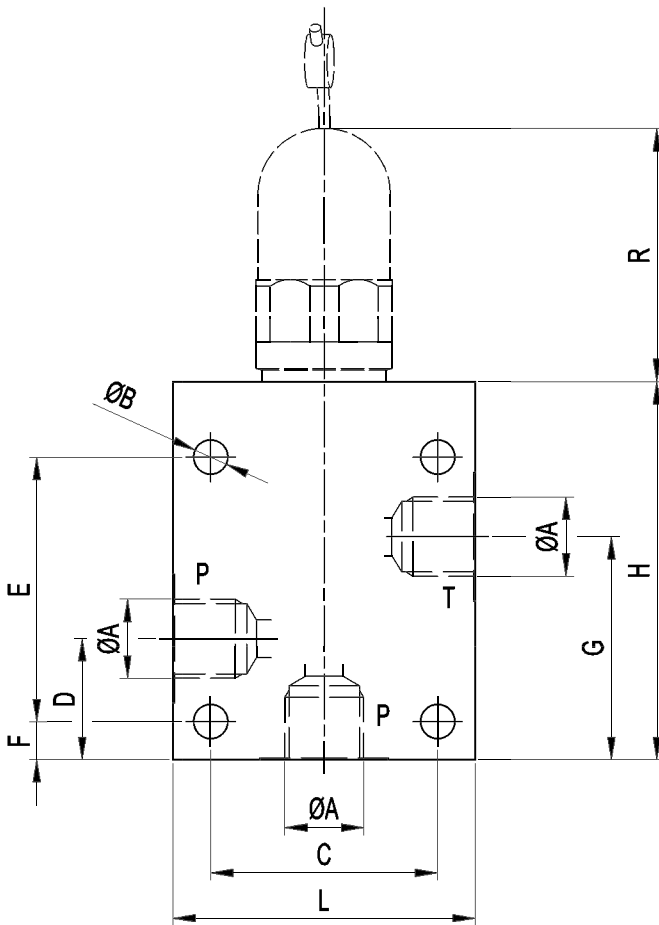
| 2 | Nominal sizes | |
|---|---------------------|--|
| | Size 10 = 10 | |

| 3 | Connections P and T | |
|---|-------------------------------------|--------------|
| | Accumulator connection 1" 1/4-2" | = A/G |
| | fluid port connection 1" 1/4-2" BSP | |

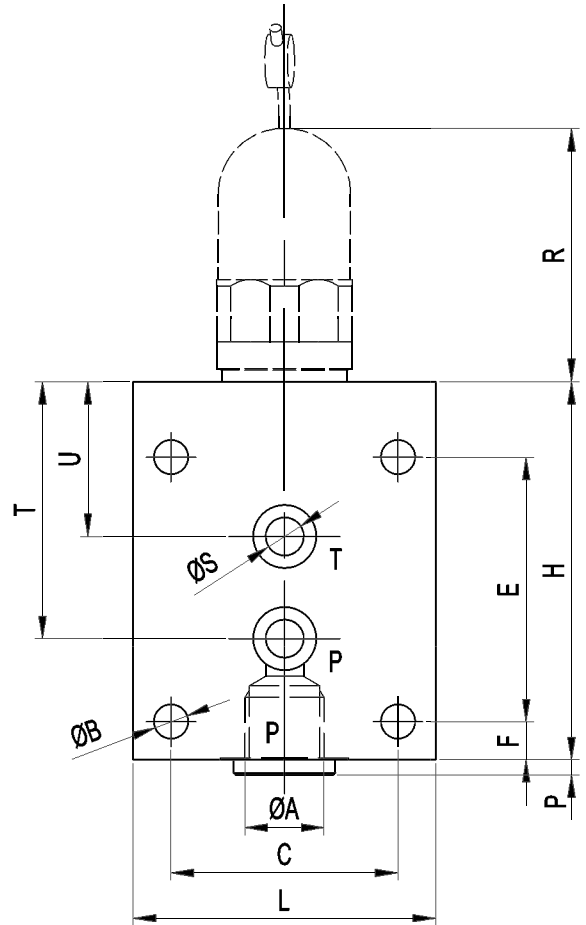
| 5 | Seals material | |
|---|----------------|------------|
| | Nitrile NBR | = P |
| | Viton (FKM) | = V |

| 4 | Body Material | |
|---|---------------|------------|
| | Carbon steel | = C |

9.2.4.1 DIMENSIONS BPV "G" & "P" TYPE

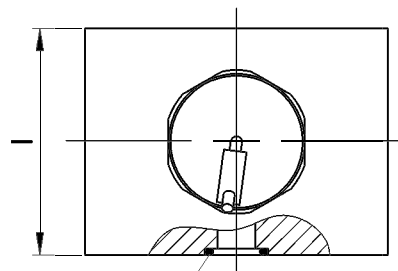
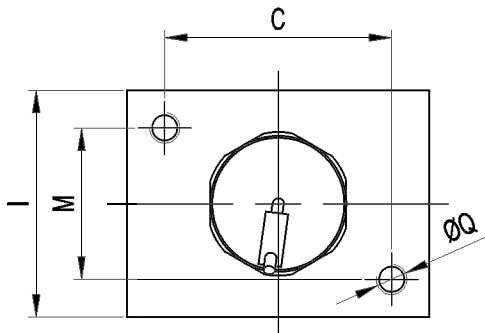


BLOCK "G" TYPE



BLOCK "P" TYPE

9.2c



OR

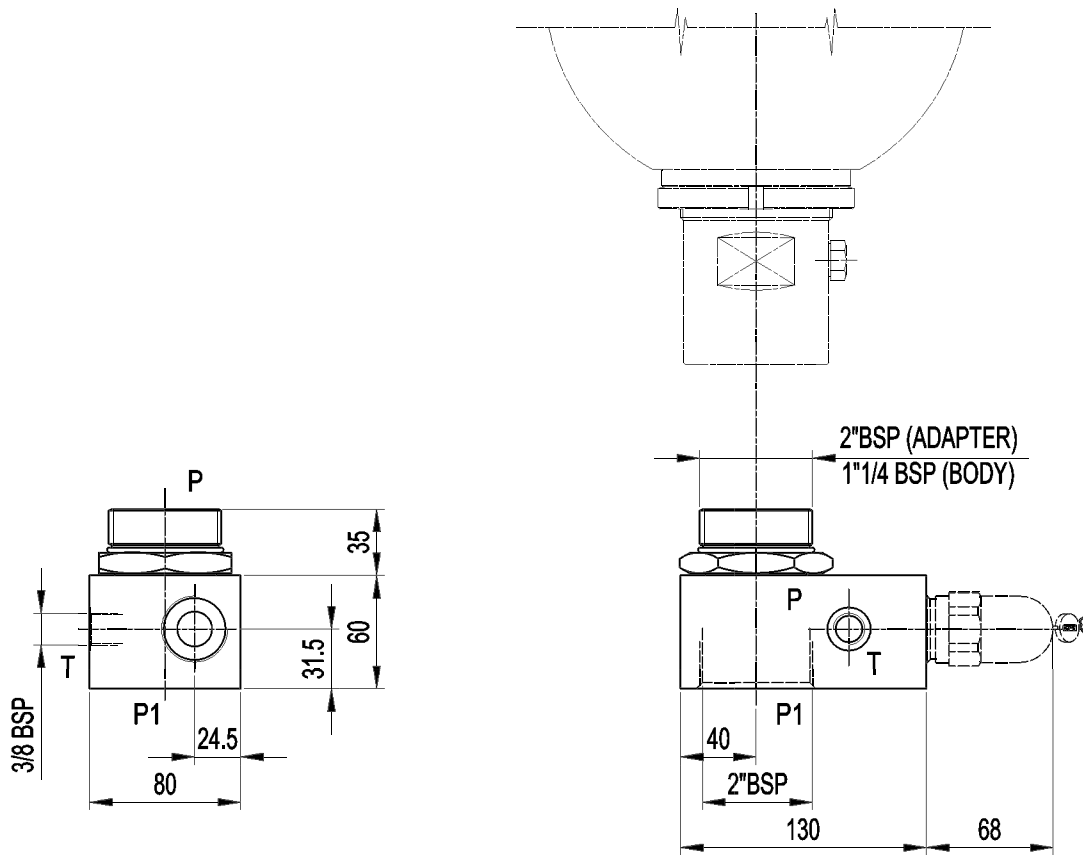
| Block order code | Valve order code | Ø A BSP | Ø B mm | C mm | D mm | E mm | F mm | G mm | H mm | I mm | L mm | M mm | P mm | Ø Q mm | R mm | S mm | T mm | U mm | OR metric | Weight Kg |
|------------------|-------------------|---------|--------|------|------|------|------|------|------|------|------|------|------|--------|------|------|------|------|----------------|-----------|
| BPV 6.. - C* | DBD... 6 K 1.... | 1/4" | 6.6 | 45 | 25 | 55 | 10 | 45 | 80 | 40 | 60 | 25 | 4 | M6 | 72 | 6 | 55 | 35 | 0010M7x1.5* | 1.5 |
| BPV 10.. - C* | DBD... 10 K 1.... | 1/2" | 9 | 60 | 32 | 70 | 10 | 59 | 100 | 60 | 80 | 40 | 4 | M8 | 68 | 10 | 68 | 41 | 0010M12.3x2.4* | 3.7 |
| BPV 20.. - C* | DBD... 20 K 1.... | 1" | 9 | 70 | 50 | 100 | 15 | 81 | 135 | 70 | 100 | 50 | 5.5 | M8 | 65 | 20 | 85 | 54 | 0010M22x3* | 6.4 |

For "DBDS K" valve seat see chapter 9.1.7.1 table 9.1e

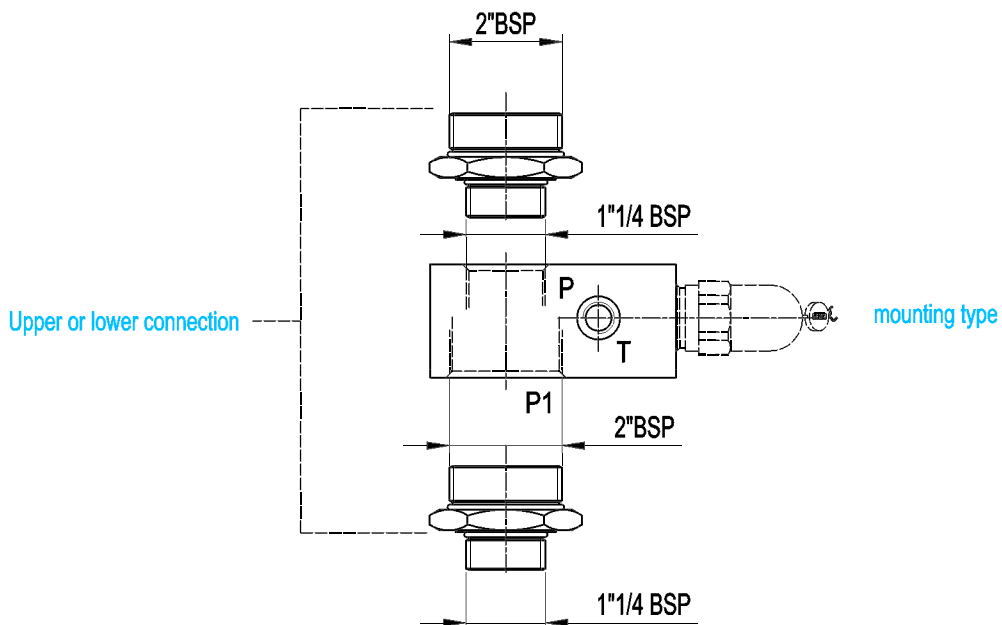
9.2d

9.2d

BAPV10 TYPE



9.2e



9.2f

Block order code BAPV 10 A/G - C *

* gasket material

Reproduction is forbidden.

In the spirit of continuous improvement, our products may be changed.